

AM89x0 SERIES PRODUCT BRIEF



Modules Offer Better Performance and Lower Costs

- **AM89x0 Series Modules**
 - ✓ Resolve and contain leaky and RF energy
 - ✓ To Relief annoying 2.4GHZ RF engineering tasks
 - ✓ To reduce FCC certifications costs and efforts

- **Customers Have Flexible Product Options**
 - ✓ Total of 4 standard SMT module types
 - AM8900_ND
 - AM8900ND_LR
 - AM8920_STD
 - AM8920_STD_LR

- **Customers Enjoys**
 - ✓ Lower risk
 - ✓ RF professional designed quality
 - ✓ Lower overall costs
 - ✓ Faster time to market

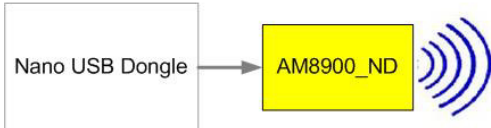
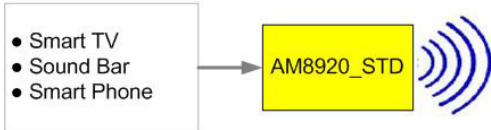
AM89x0 Series Standard Module Table

Module Name	Description	Module Type	Module Size (L*W*H mm)
AM8900_ND	Smart USB Dongle	Nano Dongle	12*17.5*1.8
AM8900_ND_LR	Smart USB Long Rang	Mini Dongle	11.5*23.5*1.8
AM8920_STD	General Purposr Tx/Rx with I2S interface	Stamp	19*20*2.2
AM8920_STD_LR	Long Range Module with I2S interface	Stamp	25*20*2.2

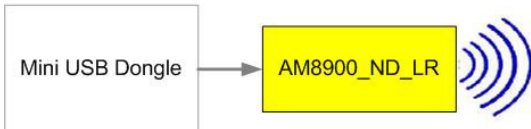
AM89x0 SERIES PRODUCT BRIEF

AM89x0 Series Standard Module Application

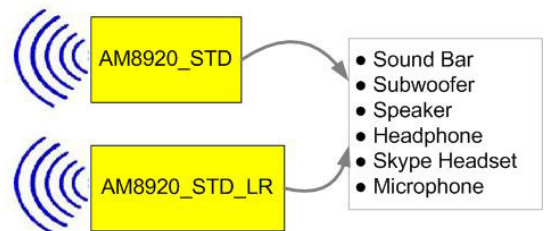
Hosts



Long Range Hosts



Audio/Wideband Voice Devices

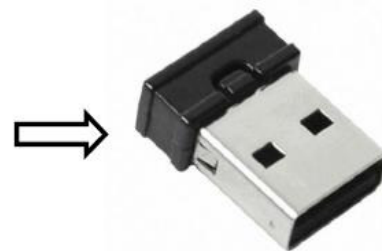


AM8900_ND

- Smart USB nano dongle module
- Completes solution with everything built-in
- One dongle for Audio/Mouse/Keyboard/Mic. Device
- Only need to add plastic and metal covers
- For Tablet PC, Smart TV, Notebook, or Desktop USB port



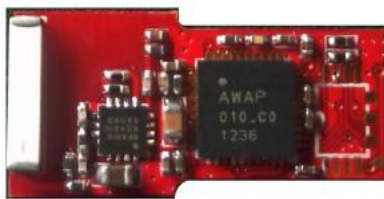
+ Plastic /
Metal
Cover



AM89x0 SERIES PRODUCT BRIEF

AM8900_ND_LR

- Smart USB dongle module with external RF power amplifier
- Completes solution with everything built-in
- One dongle for Audio/Mouse/Keyboard/Mic. Device
- Only need to add plastic and metal covers
- For longer range applications

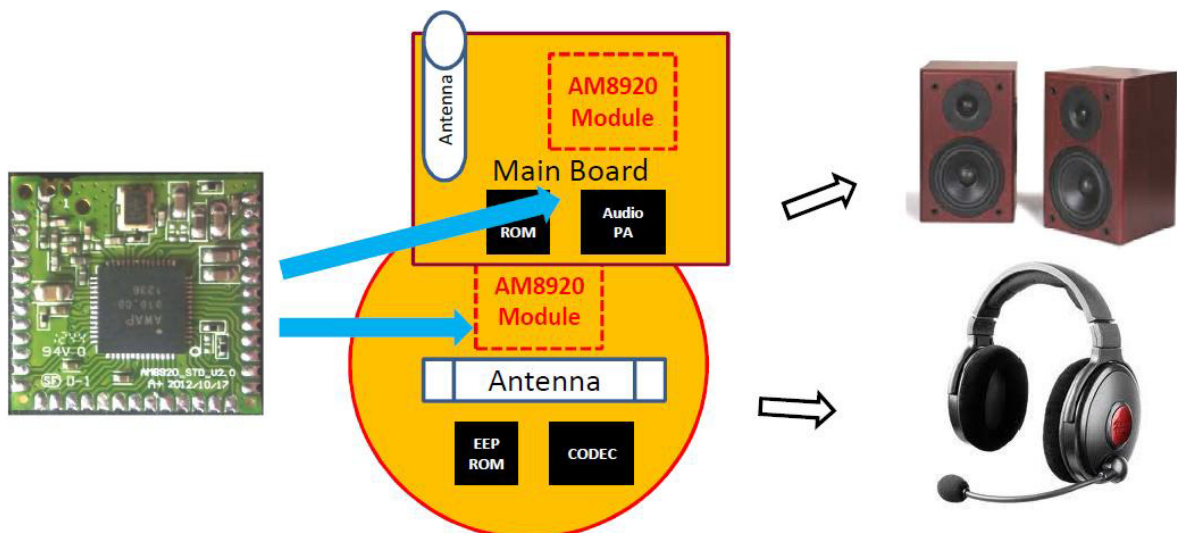


+ Plastic /
Metal
Cover →



AM8920_STD

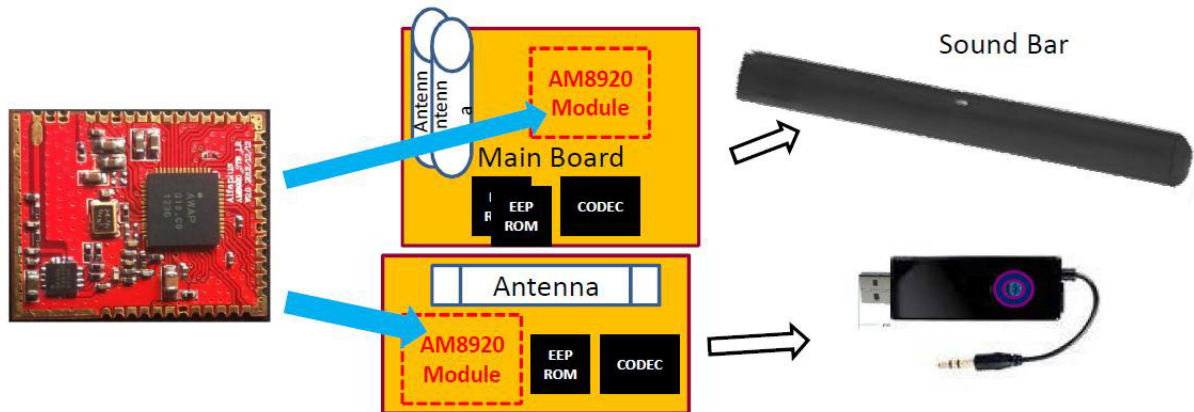
- General purpose Rx / Tx module with I2S interface
- RF component for all 2.4GHZ wireless applications
- For various CODEC, Audio PA, Antenna options
- For higher-end markets with performance requirements



AM89x0 SERIES PRODUCT BRIEF

AM8920_STD_LR

- General purpose Tx module with built-in RF PA, I2S interface
- Longer range RF component for all 2.4GHZ wireless applications
- For various CODEC, Audio PA, Antenna options
- For higher-end markets with longer range requirements



For more information contact us at :

Phone + 886 (3) 516-3270
Fax + 886 (3) 516-3267
Web www.alfaplus.com.tw
Email info@alfaplus.com.tw

Important Notice: The products and services of AlfaPlus Semiconductor described herein are sold subject to standard terms and conditions of sales. Features are subject to change without notice.

AlfaPlus
Semiconductor